



K. K. Wagh Institute of Engineering Education & Research, Nashik
(An Autonomous Institute From A.Y. 2022-23)

WINTER-2025	
Exam Seat No.:	
Academic Year:2025-2026	Semester:I/II
Class:FY	Program:B.Tech
Branch Code:FYE	Pattern:2023
Name of Course:Engineering Drawing	Course Code:2300110A
Max. Marks:60	Duration:2.30 Hrs.

Instructions: Candidates should read carefully the instructions printed on the Question Paper and on the cover page of the Answer Book, which is provided for their use.

1. This question paper contains 03 page(s).
2. Answer to each new question is to be started on a new page.
3. Assume suitable data wherever required, but justify it.
4. Draw the neat labelled diagrams, wherever necessary.
5. The last columns indicates the Course Outcome of the Question/sub-question.

Marks CO

Question No. 1

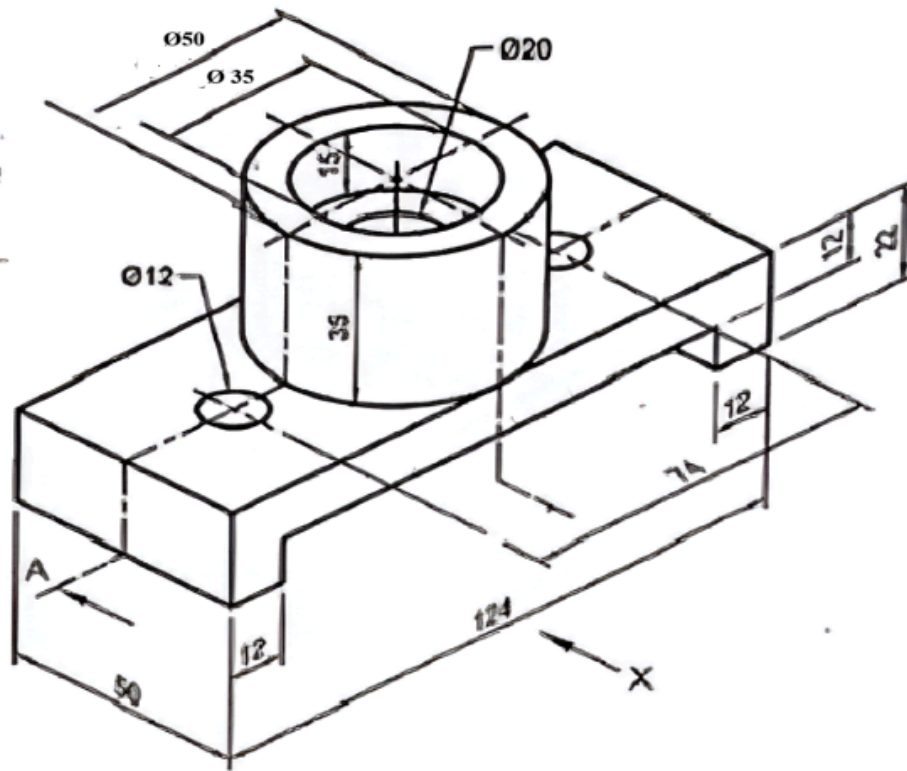
- 1.a) A line AB has its end point A on H.P. and 20 mm in front of V.P. The length of line AB in the plan is 40 mm and its elevation is 50 mm. The plan of the line is making an angle of 30° to the XY line. Draw the projections of the line. Find the True Length, inclination of True Length with H.P., and inclination of True Length with V.P. (12) CO4

OR

- 1.b) A triangular lamina of 25mm sides rests on one of its corners on HP such that the surface of the lamina makes an angle of 60° with HP. If the side opposite to the corner on which the lamina rests makes an angle of 30° with VP. Draw its projections. (12) CO4

Question No. 2

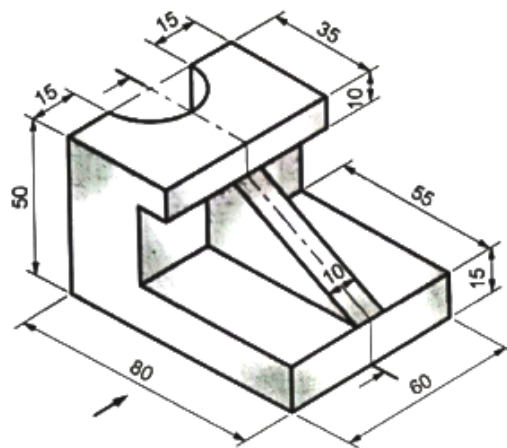
- 2.a) Figure shows Pictorial view of an object. Draw Sectional Front View looking through the direction X (Section plane along axis of Symmetry), Top view and Left-hand side view (1st Angle method) (16) CO3



OR

- 2.b) Figure shows Pictorial view of an object. Draw Sectional Front View Looking through given Direction (Section Plane along the axis of symmetry), Top view and Right-hand side view (1st Angle method)

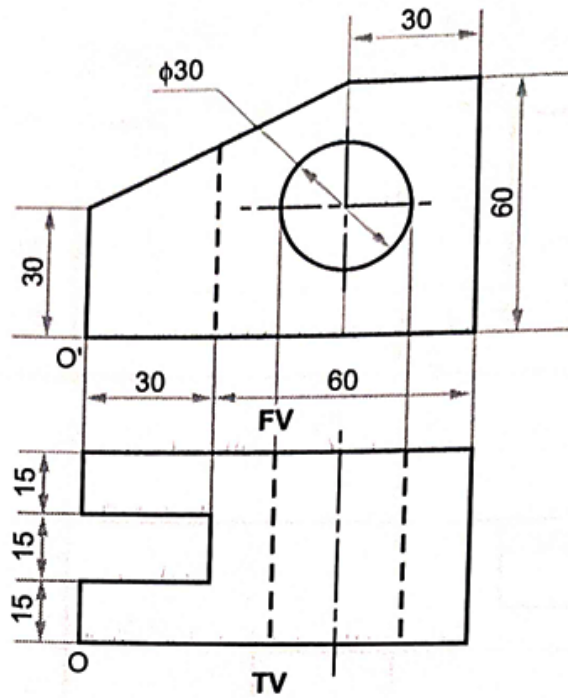
(16) CO3



Question No. 3

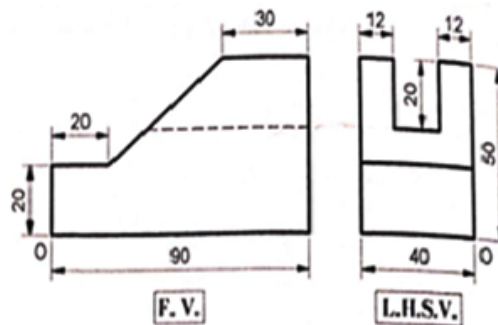
- 3.a) Figure shows Front view and Top view of an object by first angle projections method. Draw its isometric view about origin 'O'. Give overall dimensions.

(16) CO3



OR

- 3.b) Figure shows Front view and Left hand side view of an object by first angle projections method. (16) CO3
 Draw its isometric view about origin 'O'. Give overall dimensions.



Question No. 4

- 4.a) A hexagonal prism of base side 25 mm and height 56 mm is resting on one of its ends on the HP (16) CO4
 with two of its lateral faces parallel to the VP. It is cut by a plane perpendicular to the VP and
 inclined at 30° to the HP. The plane meets the axis at Midpoint of axis. Draw the development of
 the lateral surfaces of the lower portion of the
 prism.

OR

- 4.b) A square pyramid of 40 mm side and 65 mm axis height is resting on its base on HP with all of its (16) CO4
 base side equally inclined to VP. It is cut by a section plane passing through a point 30 mm away
 from its base along its axis inclined at 43° to HP. Draw development of lateral surfaces of retained
 solid.

..... End of question paper.....